

spirax

Ball Float Steam Trap

FT 14

Description :

FT - 14 ball float steam trap is a condensate drain trap of Cast Iron body and Stainless Steel internals.

Available Sizes and Pipe Connections :

40 and 50 NB screwed BSPT / NPT
Note : Available Non-IBR only.

Available types and Limiting Conditions :

FT 14 TV with Thermostatic air vent
FT 14 SLR with Steam lock release

Maximum operating conditions :

Type	PMO	TMO
FT 14-4.5	4.5 bar	156°C
FT 14-10	10 bar	184°C
FT 14-14	14 bar	198°C

Note :

PMO Maximum Operating Pressure
TMO Maximum Operating Temp.

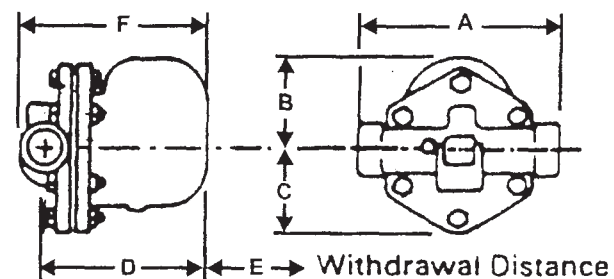
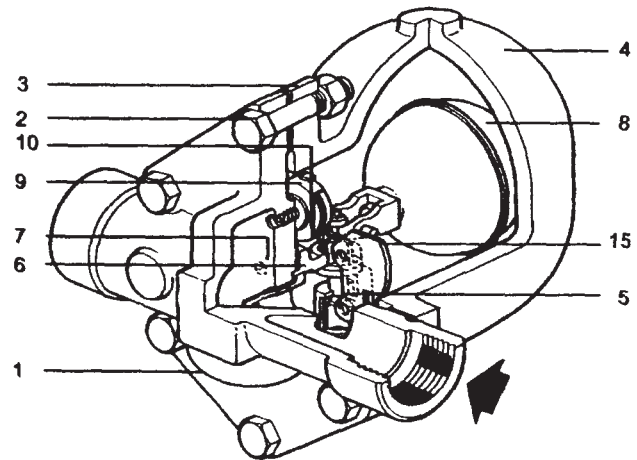
Body Design Conditions :

16 barg at 120°C
13 barg at 220°C
Cold Hydraulic test pressure 32 barg.

Material :

Sr. Part No.	Material	Standard
1. Body	Cast Iron	IS210 FG 260
2a) Cover Bolts	Carbon Steel	H.T.IS 1367 Gr. 8.8
b) Cover Buts	Carbon Steel	H.T.IS 1367 Gr. 8
3. Cover Gasket	Reinforced exfoliated Graphite	
4. Cover	Cast Iron	IS210 FG260
5. Main Valve Assly. with Erosion Deflector Type 304	Stainless Steel	ASTM A 276
6. Main Valve Assly. Gasket	Reinforced exfoliated Graphite	
7. Main Valve Assly. Studs & Nuts 40 & 50 NB	Carbon Steel	H.T.IS 1367 Gr 8
8. Ball Float	Stainless Steel Type 304	ASTM A-240
9. Air Vent Assly.	Stainless Steel Type 316	ASTM A-240
10. Air Vent Seat Gasket	Stainless Steel Type 304	ASTM A-240
*11 SLR Unit	Stainless Steel Type 410	ASTM A-276
*12 SLR Unit Gasket	CRCA	IS513
*13 SLR Seat	Stainless Steel Type 410	ASTM A-276
*14 SLR Seat Gasket	Stainless Steel Type 304	ASTM A-240
15 Diflector Plate	Stainless Steel Type 304	ASTM A-240

*Items not shown. See overleaf.



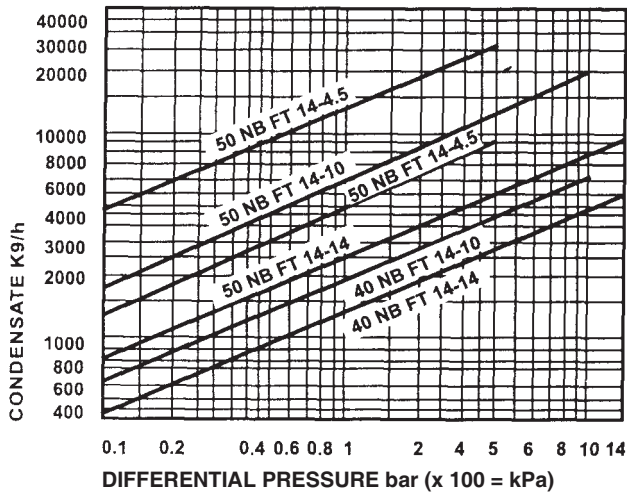
Dimensions (approx.) in mm. :

Size	A	B	C	D	E	F	Weight
40 NB	270	127	110	244	200	274	17.5 kg
50 NB	300	140	125	250	205	286	22 kg

General Tol : ±3

Capacity Charts :

FT 14 - 40, 50 NB



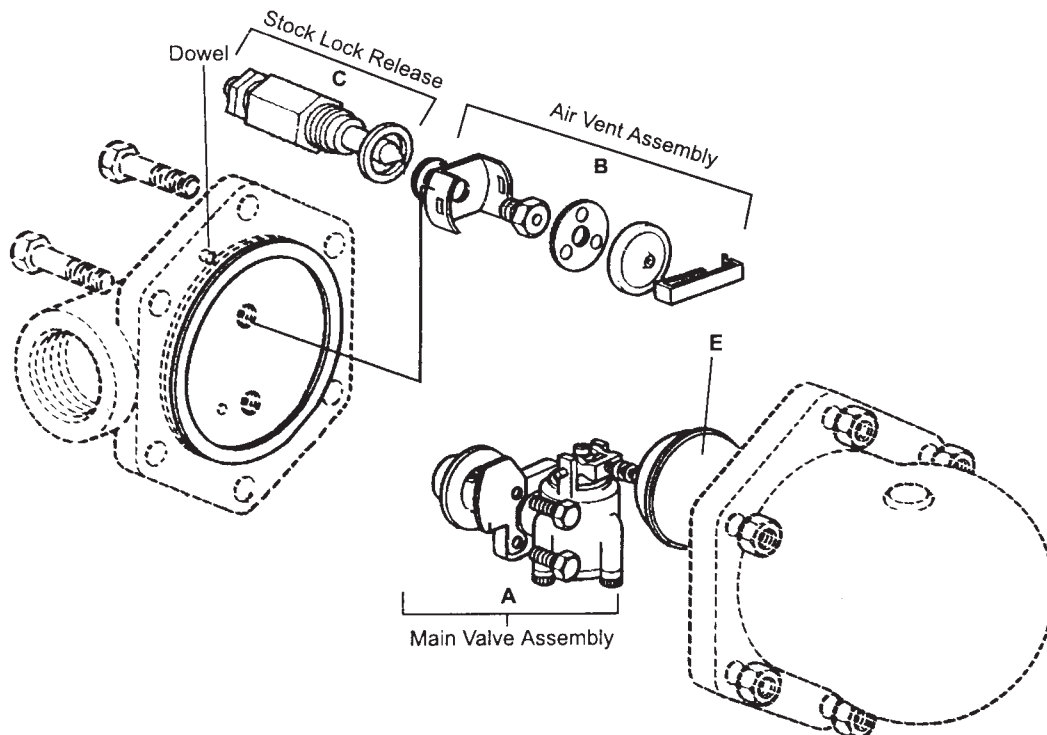
How to Specify :

Example : 40 NB BSPT FT - 14, 14 Bar, TV

Installation :

The arrow on the name plate must point downwards. The arrow on casting indicates the flow direction.

Available Spares :



Optional Extras :

Draincock tapping : The cover can be drilled and tapped 1/2" BSPT to enable a drain cock to be fitted.

Servicing :

With suitable isolation repairs can be carried out with trap on line. Undo cover bolts and lift off cover. When re-assembling make sure that all joint faces are clean. Always use a new gasket and apply a thin coating of jointing paste. Tighten cover bolts uniformly. Open up isolating valve.

Spare Parts :

The spare parts available are shown in heavy outline. Parts drawn in broken line are not supplied as spares..

Available Spares :

Main Valve Assembly with Erosion deflector	A
Air Vent Assembly	B
Steam Lock Release Unit	C
Sets of Gasket (Pkt. of 5 Sets)	D
Float	E

How to Order Spares :

Always order spares by using the description given in the column headed 'Available Spares' and stating the size and type and differential pressure of Trap. **For Codes Ref. User Manual.**

Subject to change without notice

1000/July / 2006 / 5392

STIS - 20

Manufactured and Marketed by :

Spirax Marshall Pvt. Limited

A Forbes Marshall Company

P.B. No. 29, Mumbai-Pune Road, Kasarwadi, Pune - 411 034. India.

Tel. : 91 (O) 020 27145595 Fax : 91 (O) 020 27147413, 27147593

URL : <http://www.forbesmarshall.com/spirax>

Branches : Ahmedabad, Alibag, Bangalore, Chandigarh, Chennai, Coimbatore, Delhi, Hyderabad, Jamshedpur, Kolkata, Mumbai, Nagpur, Navi Mumbai, Pune, Surat, Vadodara, Visakhapatnam.

Representatives : Bhopal, Kanpur, Lucknow, Madurai, Pondicherry, Trichy.

