

Moisture Separator C.I

Description:

The Cast Steel Moisture Separator is designed to remove entrained water particles from steam so that they can be drained away as condensate.

Available Sizes & Pipe Connections:

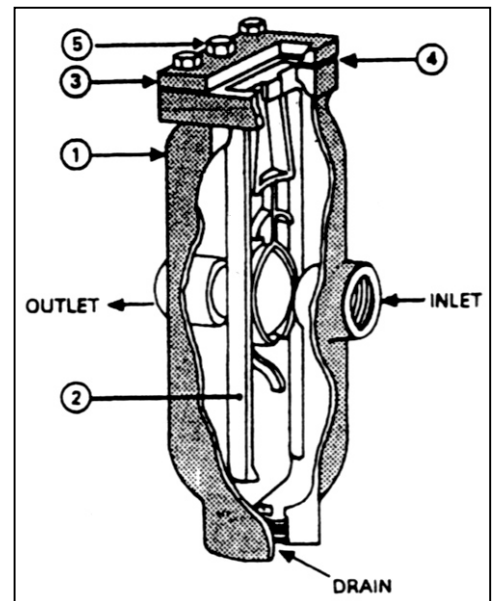
15,20 NB
Screwed BSPT/NPT
Available with I BR test certificates on request.

Limiting Conditions:

PMO-Max. Operating Pressure _____ 13 kg/cm²
TMO-Max. Operating Temperature _____ 220°C.
Cold Hydraulic test pressure _____ 26 kg/cm²

Material:

No. Part	Material	Specification
1. Body	Cast Iron	IS 210 Gr. FG 260
2. Baffle Plate	Cast Iron	IS 210 Gr. FG 260
3. Cover	Cast Iron	IS 210 Gr. FG 260
4. Gasket	Compressed Asb. Fibre	IS 2712
5. Hex.Hd Bolt	Carbon Steel	HT. IS 1367 Gr.8.8



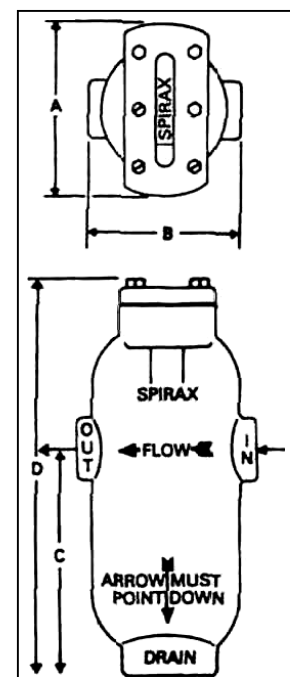
Dimensions: (approx.) in mm.

Size	Dimensions			
	A	B	C	D
15NB	70	89	110	213
20NB	83	115	143	248

General Tolerance ± 3

How to Specify:

Example: 20 NB BSPT, SPIRAX MARSHALL C.S. Moisture Separator. IBR



Available Sizes:

25,40,50, 80,100,150,200 & 250 NB.

Available with IBR test certificates, on request.

Flange Connections:

Refer Table 1

Limiting Conditions:

For IBR

Max. Operating Pressure and temperature as per Table 1.

How to Specify:

Example : 40 NB SPIRAX MARSHALL C.I. Moisture Separator, Flanged BS 10 Table "F" IBR.

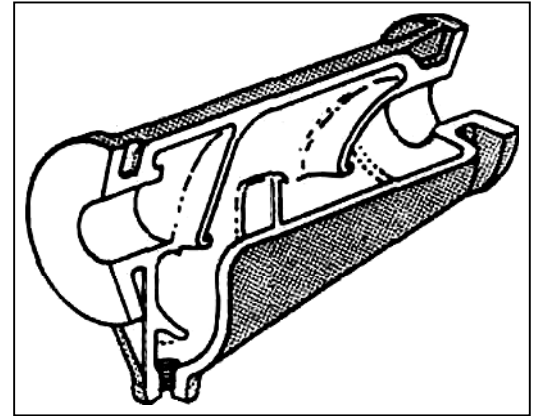


TABLE 1

PMO & TMO For different flanges.

TABLE 1

PRESSURE RATING IN kg/cm² AT 220°C. FOR IBR C.I. MOISTURE SEPARATOR

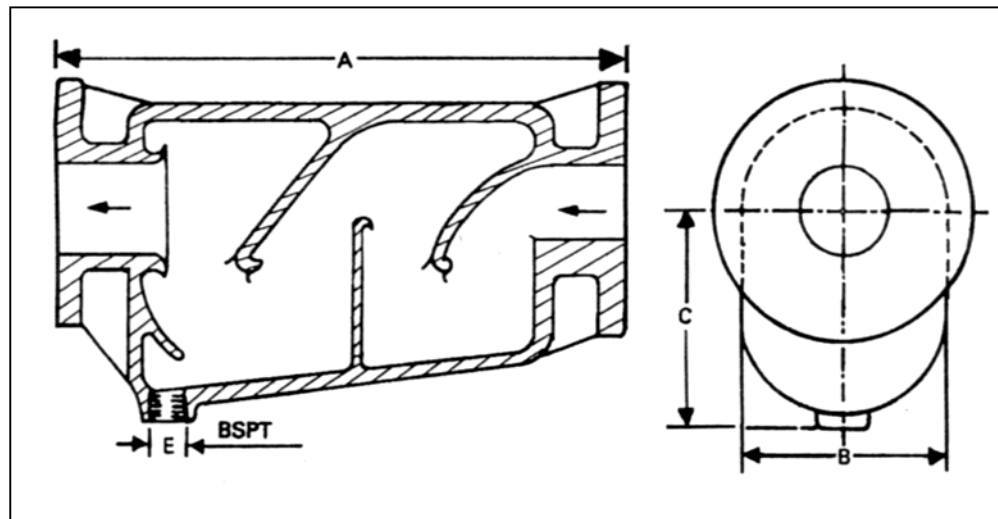
Flange Type	Size							
	25N R	40N R	50N R	80N R	100 NR	150 NR	200 NR	250 NR
BS -IOTab'F'	10.5	10.5	10.5	10.5	10.5	10.5	10.5	10.5
DIN ND 10	8.5	-	-	-	-	8.5	8,5	8.5
ASA-150	10.5	-	-	-	-	10.5	10.5	10.5

TABLE 2

Dimensions: (approx.) in mm.

Size	Dimensions			
	A	B	C	E
25NB	280	70	98	20 NB
40NB	368	89	111	20 NB
50NB	457	121	146	25NB.
80NB	483	152	175	25NB
100NB	692	197	238	25NB
150NB	706	375	232	25NB
200NB	762	416	305	40 NB-
250NB	822	472	382	40 NB

General Tolerance ± 3.0



[CLICK FOR ADDRESS](#)