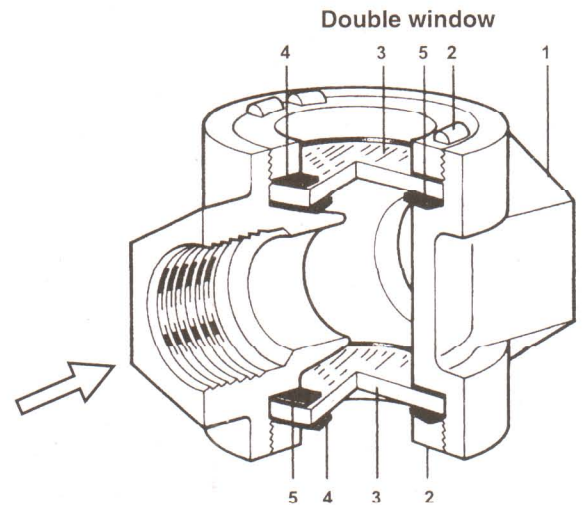
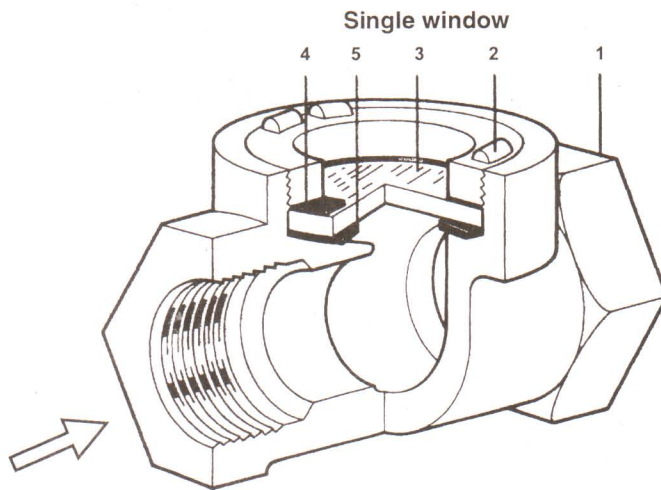


# spirax

# Sight Glasses



### Description :

A range of single and double window sight glasses available in cast iron screwed connections.

### Sizes and pipe connections

Single window 15, 20 and 25 NB BSPT / NPT.

Double window 40 and 50 NB screwed BSPT / NPT.

### Limiting Conditions

PMO - Max. operating pressure- 13.0 bar g

TMO - Max. operating temperature- 220°C.

Cold Hydraulic test pressure- 26.0 bar g

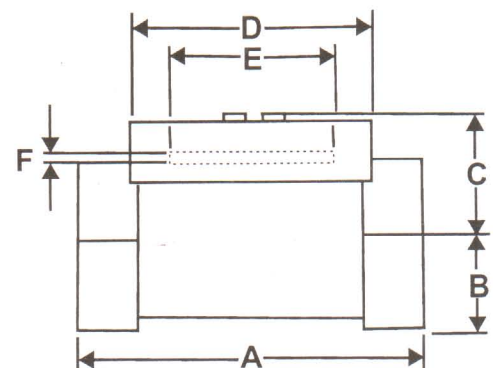
### Dimensions / weights (approximate) in mm

#### Single window

SIZE	A	B	C	D	E	F
15 NB	89	18	32	64	50	5
20 NB	89	18	32	64	50	5
25 NB	89	24	37	64	50	5

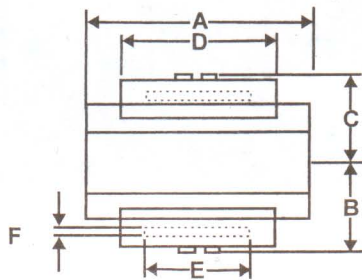
### Material :

No.	Part	Material
1.	Body	Cast Iron IS210 Gr. FG 220
2.	Bazel	Brass BSS 218
3.	Glass	Toughened glass
4.	Top gasket	Asbestos free
5.	Bottom gasket	Synthetic fibre



### Double window

SIZE	A	B	C	D	E	F
40 NB	108	-	51	64	50	5
50 NB	114	-	51	64	50	5



### Safety information, installation and maintenance

Safe operation of these units can only be guaranteed if they are properly installed, commissioned and maintained by a qualified person in compliance with the operating instructions. General installation and safety instructions for pipeline and plant construction, as well as the proper use of tools and safety equipment must also be compiled with.

### Sizes and pipe connections

Single window 15, 20 and 25 NB BSPT / NPT.

Double window 40 and 50 NB screwed BSPT/NPT.

### Warning :

Under certain conditions corrosive elements in condensate can affect the inside face of the window(s), particularly where caustic alkali and hydrofluoric acid are present. It is recommended that the sight glass is periodically checked for thinning of the window(s). If there is evidence of thinning or erosion damage then the window(s) should be replaced immediately. Always wear eye protection when viewing the contents of the sight glass.

### Installation and maintenance note :

Sight glasses should have stop valves fitted on both inlet and outlet. It is imperative that the upstream stop valve is closed first in order to prevent over pressurisation

Sight glasses can be fitted in either a horizontal or vertical line on the outlet side of a steam trap. Where the trap is a blast discharge type e.g. thermodynamic the sight glass must be fitted at least 1 m from the trap. This is to ensure that the glass is not subjected to thermal shock or pressure. Reasonable steps should be taken to protect personnel from injury in the unlikely event that the glass breaks.

Ensure access is available for maintenance purposes.

### Disposal

The product is recyclable. No ecological hazard is anticipated with disposal of this product providing due care is taken.

### How to order

**Example :** 25 NB Spirax Marshall C.I. Sight glass screwed BSPT

### Spare parts

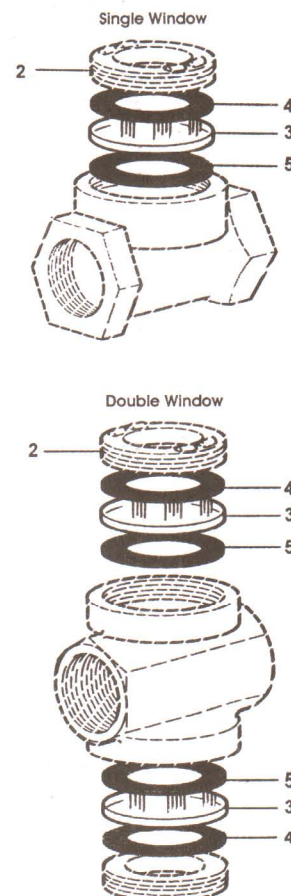
The spare parts available are shown in heavy outline. Parts drawn in broken line are supplied as spares.

### Available spares

Set of Glass and gaskets (pack of 2)	3, 4, 5
--------------------------------------	---------

### How to order spares

Always order spares by using the description given in the column headed 'Available spares' and state the size and type of Sight Glass.



Manufactured Marketed by :

**Spirax Marshall Pvt. Limited**

A Forbes Marshall Company

P. B. No. 29, Mumbai - Pune Road, Kasarwadi, Pune - 411 034. India.

Tel. : 91 (0) 020 27145595 Fax : 91 (0) 020 27147413, 27147593

URL : <http://www.forbesmarshall.com/spirax>

**Branches** : Ahmedabad, Alibag, Bangalore, Bharuch, Chandigarh, Chennai, Coimbatore, Delhi, Hyderabad, Jamshedpur, Kolkata, Mumbai, Nagpur, Navi Mumbai, Pune, Surat, Vadodara, Visakhapatnam.

**Representatives** : Bhopal, Madurai, Pondicherry, Trichy.

