

Strainer

Description:

Fig. 12 Y-type Strainers with Stainless Steel screens having 0.8 mm dia. perforations as standard.

Available Sizes & Pipe Connections:

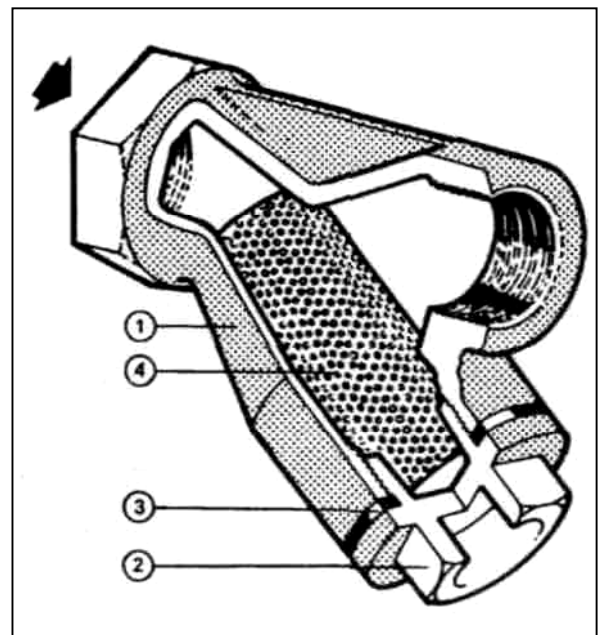
15, 20 & 25 NB Screwed BSPT / NPT 40 & 50 NB Screwed BSPT / NPT
Available with IBR certificate on request except 50NB.

Limiting Conditions:

PMO - Max. operating pressure _____ 13 bar
TMO - Max. operating temperature _____ 220 °C
Cold hydraulic test pressure _____ 26 bar

Materials:

No. Part	Material	Standard
1 Body	Cast Iron	IS210.FG220
2 Cap 15,20 & 25 NB 40 & 50 NB	Brass Cast Iron	ASTM A216 Gr. WCB IS 210 Gr. FG 260
3 Gasket 15.20.25.40 & 50 NB	Reinforced exfoliated graphite Asbestos free synthetic fibre	
4 Screen	Stainless Steel	ASTM A – 240 Type 304

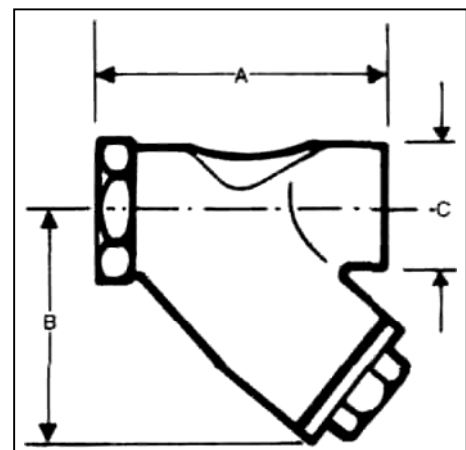


Dimensions: (approximate) in millimetres:

SIZE NB	A	B	C	SCREENING Area
15	73	53	35	8.77 cm ²
20	90	65	40	13.84cm ²
25	105	75	47	23.17cm ²
40	154	125	66	52.21 cm ²
50	188	150	80	79.69 cm ²

GEN.TOL.±3.0

NOTE: 40 and 50 NB Strainers are fitted with bolted Strainer Caps secured by M6 X 35 mm long studs and nuts.



The spare parts available are shown in heavy outline. Parts drawn in broken line are not supplied as spares.

AVAILABLE SPARES

Strainer Screen & Gasket (state material, size of perforations or mesh and size of strainer)

Pkt. of 5. _____ A+B

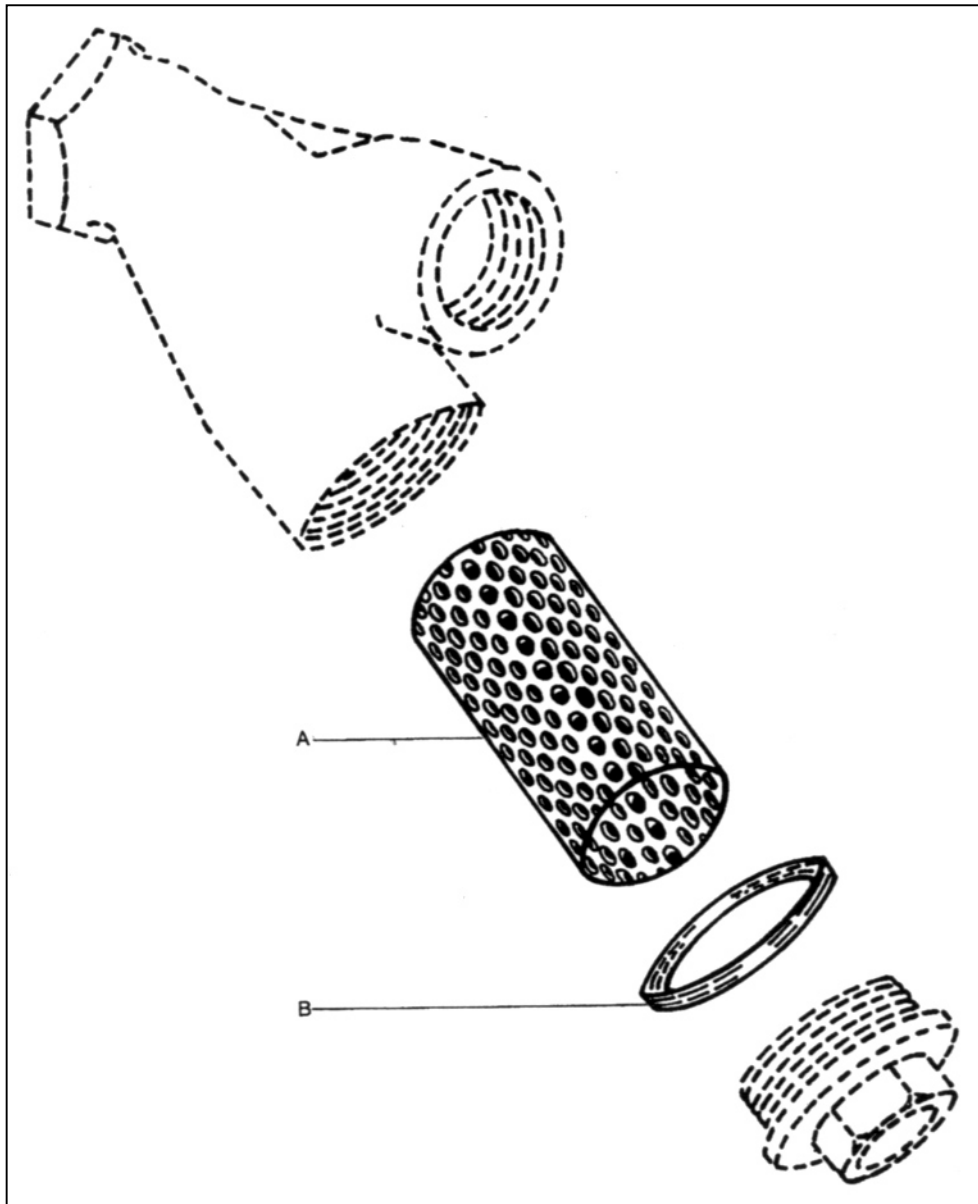
How to Order:

Always order spares by using the description given in the column headed Available spare and stating the size and type of strainer and perforation or mesh required.

Example: 1 - Strainer Screen, Stainless Steel 304, 0.8 mm perforation & Gasket for Spirax 40 NB : Fig. 12 Strainer.

Screen Details:

Fitted as standard with a S.S. 304 screen having perforation of 0.8 mm Dia. and other perforations are available to special order.



[CLICK FOR ADDRESS](#)