

Strainer FIG 14

Description :

Fig. 14 Y - type Strainers with Stainless Steel screens having 0.8 mm dia. perforations as standard.

Available Sizes & Pipe Connections :

15, 20, 25, 40 & 50 NB.
Available with IBR certificate.

Limiting Conditions:

Max working Pressure

Size	Screwed	Socket Weld
15 NB	55.0	55.0
20 NB	50.0	50.0
25 NB	55.0	55.0
40 NB	41.5	55.0
50 NB	41.5	55.0

Max. working temperature = 427C.

Cold hydraulic test pressure - Double the working pressure

Pipe Connections :

Screwed BSPT, NPT and Socket weld ends.

Material :

No.	Part	Material	Standard
1	Body	Cast Steel	ASTM A 216-WCB
2	Cap	Cast Steel- 15, 20 & 25 NB 40 & 50 NB	ASTM A 216-WCB IS-2062
3	Gasket	Reinforced exfoliated Graphite	
4	Screen	Stainless Steel Type 304	ASTM A-240

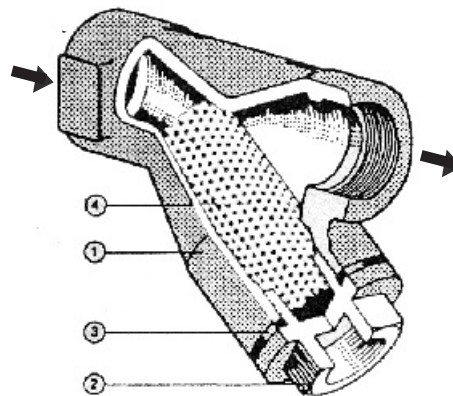
Dimensions : (approx) mm

Size NB	A	B	C	D
15	73	60	100	37
20	88	65	110	40
25	105	80	135	50
40	162	125	195	74
50	188	145	235	87

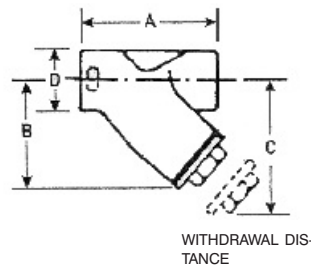
GEN. TOL. ± 3.0

NOTE :

Blowdown or drain cock connections. The cap can be drilled to the following sizes to enable a blowdown or drain to be fitted.



8.4



Strainer size	Blowdown cock	Drain cock
15	3/8"	3/8"
20	1/2"	1/2"
25	1/2"	1/2"
40	3/4"	3/4"
50	3/4"	3/4"

The spare parts available are shown in heavy outline. Parts drawn in broken line are not supplied as spares.

AVAILABLE SPARES

Strainer Screen & Gasket (State material, size of perforations or mesh and size of strainer A + B

How Order :

Always order spares by using the description given in the column headed. Available spares and stating the size and type of strainer and perforation or mesh required.

Example : 1 - Strainer Screen, Stainless Steel 304, 0.8 mm perforation & Gasket for Spirax 40 NB.
Fig. 14 Strainer

Screen Details :

Fitted as standard with a S. S. 304 screen having perforation of 0.8 mm Dia and other perforations are available to special order.

