

Strainer

Fig. 32

Description:

FIG. 32 Strainers are available in Cast Iron/Cast Steel with stainless steel screen having 0.8 mm dia perforations as standard.

Available Sizes and Pipe Connections:

C.I. Fig. 32 Strainer - NB 40, 50, 80, 100, 150 & 200.

C.S. Fig. 32 Strainer - NB 40,50, 80, 100, 150, 200, 250,300

Note: 1) For flanged strainers available in specific size/ type of strainer, please refer table 1 &2.

2) Also available with IBR certificate on request.



Limiting Conditions:

PMO & TMO	Cast Steel Strainer NIBR	Cast Steel Strainer IBR	Cast Iron Strainer NIBR	Cast Iron Strainer IBR
	As per flange rating	Refer table 2 overleaf	Refer table 3 overleaf	

Materials:

Sr.	Part	Material	Standard
1	Body	Cast Iron Cast Steel	IS 210 FG 260 ASTMA216 Gr. WCB
2	Cap	Cast Iron Cast Steel	IS 210 FG 260 ASTMA216Gr. WCB
3	Screen	Stainless Steel Type	ASTM A - 240
4	Gasket	Asbestos Free Synthetic fibre	
5	Stud	Carbon Steel	IS 1367
6	Nut	Carbon Steel	HT IS 1367 Gr. B

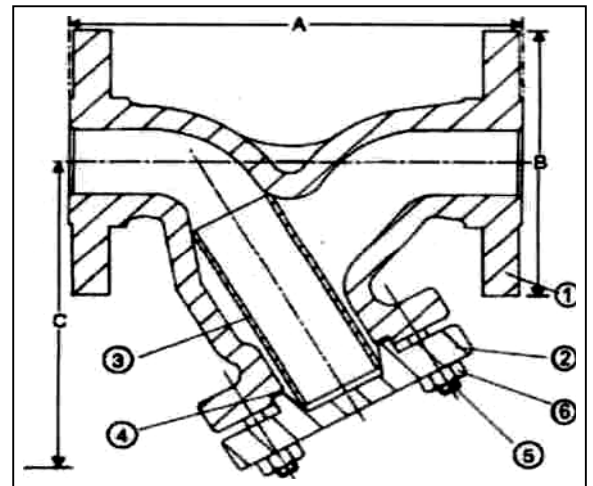


TABLE 1 C.S. FIG. 32 STRAINER

Dimensions: (approx) mm.

DIM SIZE	A	B												C
		BS Table					ANSI			DIN - ND				
		F	H	J	K	R	150	300	600	10	16	25	40	
NB														
40	235	-	140	-	152	152	127	155	156	150	150	150	150	187
50	254	-	165	-	165		152	165	-	165	165	165	165	203
80	330	203	203	203	203	203	190	210	-	200	200	200	200	245
100	381	-	-	-	241		229	254	-	220	220	235	235	299
150	540	-	304.8	304.8	304.8	304.8	279.4	317.4	355.6	285	285	300	300	370
200	68	-	368.3	368.3	368.3	368.3	343	381	419.1	340	340	360	375	470
250	813	-	-	-	431.8	-	406.4	444.5	508	395	405	425	450	650
300	894	-	489	489	489	508	482.6	520.7		445	460	485	515	800

TABLE 2 PRESSURE RATING IN kg/cm² FOR IBR C.S. FIG. 32 STRAINER

Flange Type	Max Working Pressure kg/cm ²	Temperature Deg C
BS 10 Table F	10.5	427
BS 10 Table H	17.5	427
BS 10 Table J	24.6	427
BS 10 Table K	31.6	427
BS 10 Table R	42	427
ASA - 150	10.5	280
ASA- 300	28	427
ASA - 600	42	427
DIN ND-10	7	400
DIN ND-16	11.5	400
DIN ND-25	20	400
DIN ND-40	30	400

Refer Table 1 for Product availability

TABLE 3 PRESSURE RATING IN kg/cm² AT 220⁰C FOR IBR C.I. FIG. 32 STRAINER

Flange Type	Size					
	40 NB	50 NB	80 NB	100 NB	150NB	200 NB
BS 10 Table F	10.5	10.5	10.5	13.0	10.5	10.5
ASA- 150	10.5	10.5	10.5	10.5	13.0	13.0
DINND- 16	10.5	10.5	10.5	13.0	13.0	13.0

TABLE 4 C.I. FIG. 32 STRAINER
Dimensions: (approx) mm

DIM SIZE ↔ ↓	A	B				C
		BS Table	ANSI	DIN		
		F	150	ND 10	ND 16	
NB						
40	230	140	127	150	150	159
50	242	165	152	165	165	179
80	298	203	190	200	200	225
100	348	229	229	220	220	267
150	484	305	279	285	285	367
200	604	368	343	340	340	470

* Note: General Tolerance upto 80 NB ± 3, Above 80 NB ± 5

Screen details:

Fitted as standard with S.S. Screen having perforations of 0.8 mm dia. with 3 mm dia. perforated backing. 40,60,100 mesh screen is available as special on request.

How to Specify:

Example: 40 NB SPIRAX MARSHALL
(Size) (Make) C.I. Fig. 32 Strainer Flanged Table F IBR (M.O.C.) (Strainer type) (End Connection)

Optional:

15 NB BSPT plug on cover is available on request

Installation:

The arrow on casting indicates flow direction.

Servicing:

With suitable isolation, repairs can be carried out on line. Undo nuts and remove strainer cap. Remove muck and clean screen thoroughly. Fit screen carefully and fit cap with a new gasket. Apply a thin coating of jointing paste. Tighten nuts uniformly. Open up isolation valve. Check for gasket leak if any and tighten.

Available Spares:

Screen and gasket kits are available as spares.

CLICK FOR ADDRESS