

spirax

Safety Valve Pop Type

SV 11

Description :

Safety Valve Model SV11 is a high lift safety valve with gun metal seat, valve and body and brass internals suitable for use on steam, air and water.

Sizes :

20, 25, 40 & 50 NB

Pipe Connections : Screwed B.S.P.T.

Limiting Conditions:

Minimum blow off pressure : 0.34 bar g

Maximum blow off pressure : 17.3 bar g

For following set pressure ranges, 6 colour coded springs are

Available :-

White-05 to 15 psi Blue-75 to 125 psi
 Yellow-15 to 35 psi Red-125 to 175 psi
 Green-35 to 75 psi Black-175 to 250 psi

Materials :

No.	Part	Material	Standard
1	Body	C. I.	I.S. 210 FG 220
2	Valve Seat	G.M.	B.S. 1400 LG2
3	Spring	St. Steel	I.S. 4454 IV Spring
4	Adjustment Screw	Brass	I.S. 4170
5	Adjustment Screw Cover	Mild Steel	-
6	Easing lever	Aluminium	LM6
7	Spindle	Brass	I.S. 4170
8	Valve	G.M.	B.S. 1400LG2
9	Lock nut	Brass	I.S. 4170
10	Blow down ring	G.M.	B.S. 1400LG2
11	Locking Screw	Brass	I.S. 4170

Available Spares :

Valve & Spindle Kit

Spring and Guide Kit

How to Order :

Always order spares by using the description given in the column headed Available spares. For Codes Ref. User Manual.

Installation :

The Safety Valve should always be fitted with the centre line of the spring Housing vertically above the valve.

If the discharge pipe is not self draining then a separate drain pipe with continuous fall should be provided.

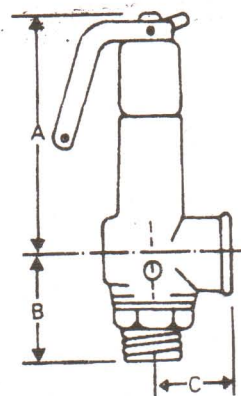
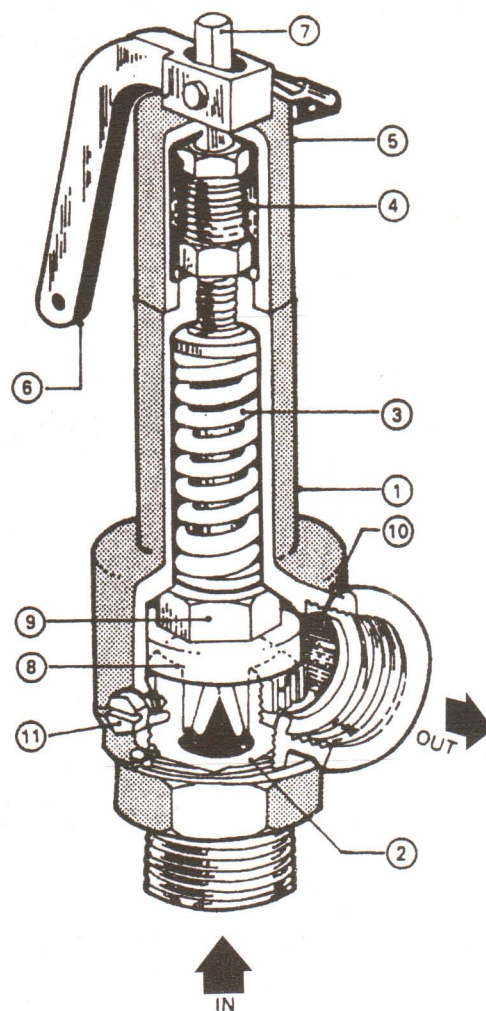
The outlet from the Safety Valve should be arranged to discharge to a safe place where it is visible but can not cause damages or injury to persons.

These Valves are not suitable for mounting on boilers.

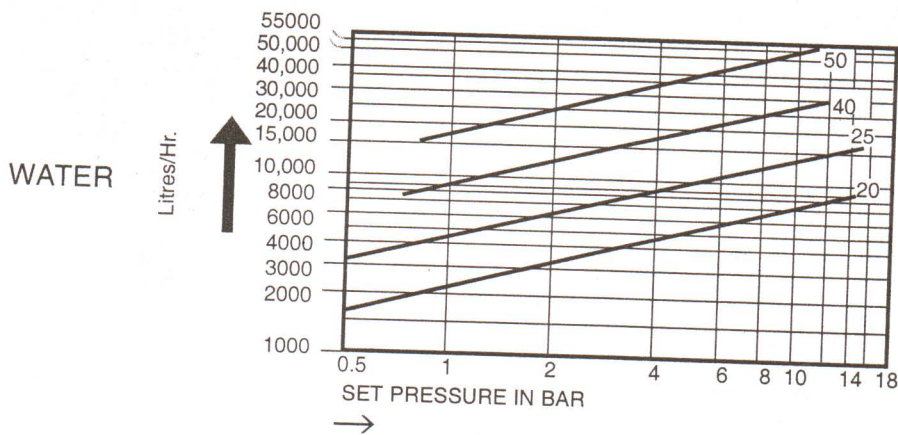
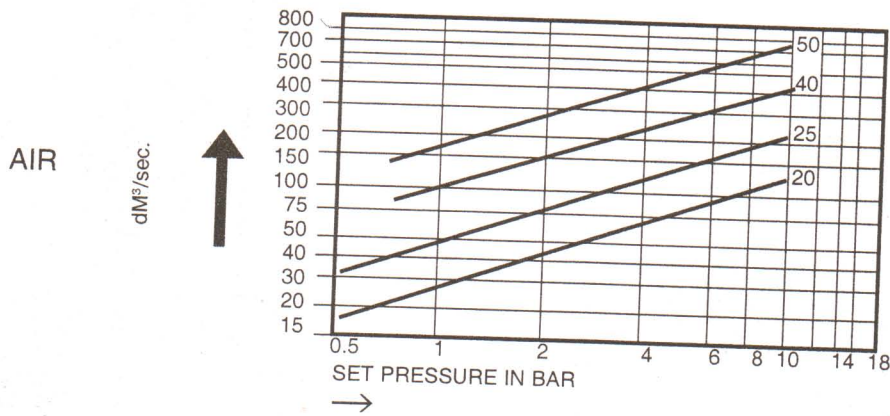
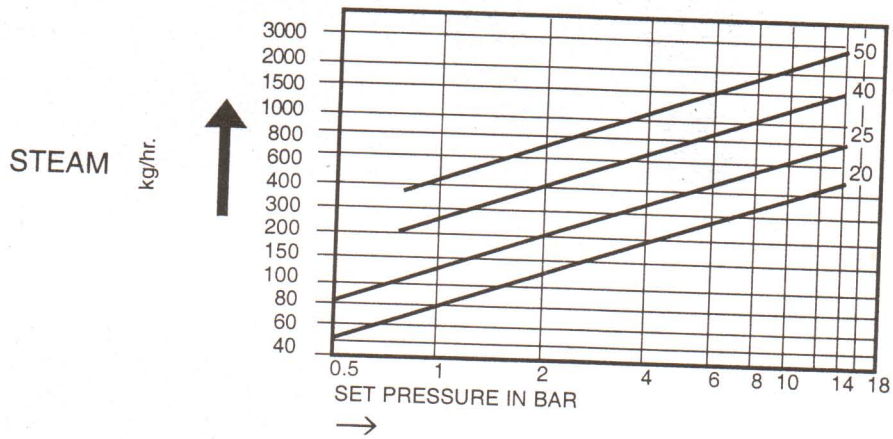
Dimensions : (Approx) in mm.

Size NB	A	B	C	Weight Kg. Approx.
20	145	60	48	1.4
25	160	65	60	2.1
40	205	84	73	4.5
50	250	108	80	6.5

GENERAL TOL. ± 3



DISCHARGE CAPACITIES WITH 10% ACCUMULATION ABOVE THE SET PRESSURE FOR VARIOUS FLUIDS ARE SHOWN BELOW



Subject to change without notice.

1000 / JUNE / 2006 / 767

STIS - 38

Manufactured and Marketed by :

Spirax Marshall Pvt. Limited

A Forbes Marshall Company

P. B. No. 29, Mumbai-Pune Road, Kasarwadi, Pune - 411 034, India

TEL. : 91 (0) 020 27145595 FAX : 91 (0) 020 27147593, 27147413

URL : <http://www.forbesmarshall.com/spirax>

Branches : Ahmedabad, Alibag, Bangalore, Bharuch, Chandigarh, Chennai, Coimbatore, Delhi, Hyderabad, Jamshedpur, Kolkata, Mumbai, Nagpur, Navi Mumbai, Pune, Surat, Vadodara, Visakhapatnam.

Representatives : Bhopal, Indore, Lucknow, Madurai, Pondicherry.

